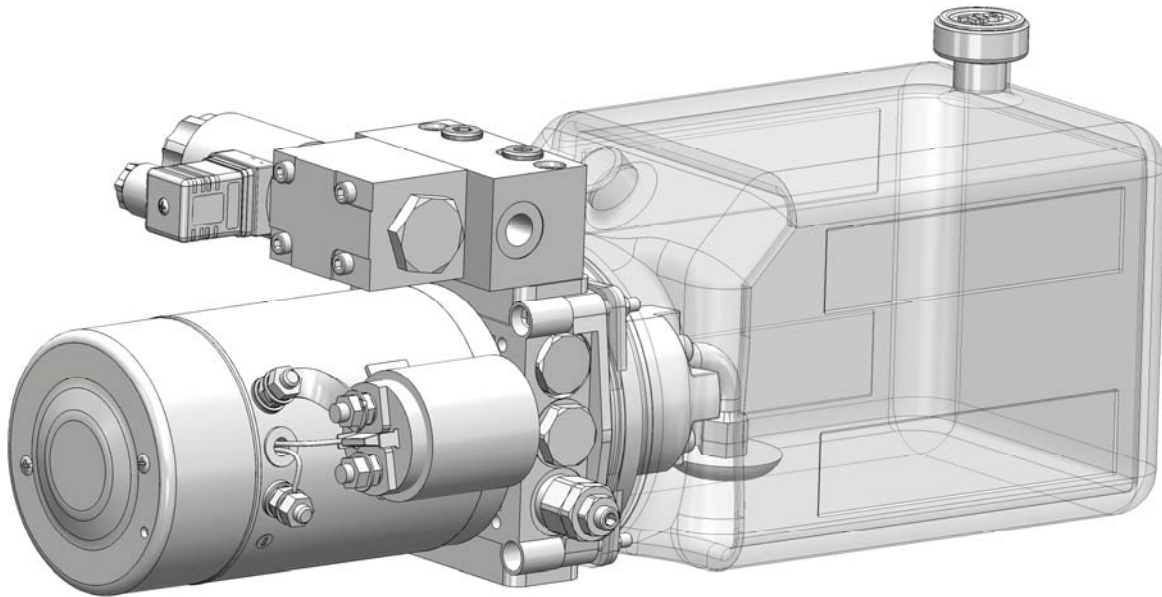


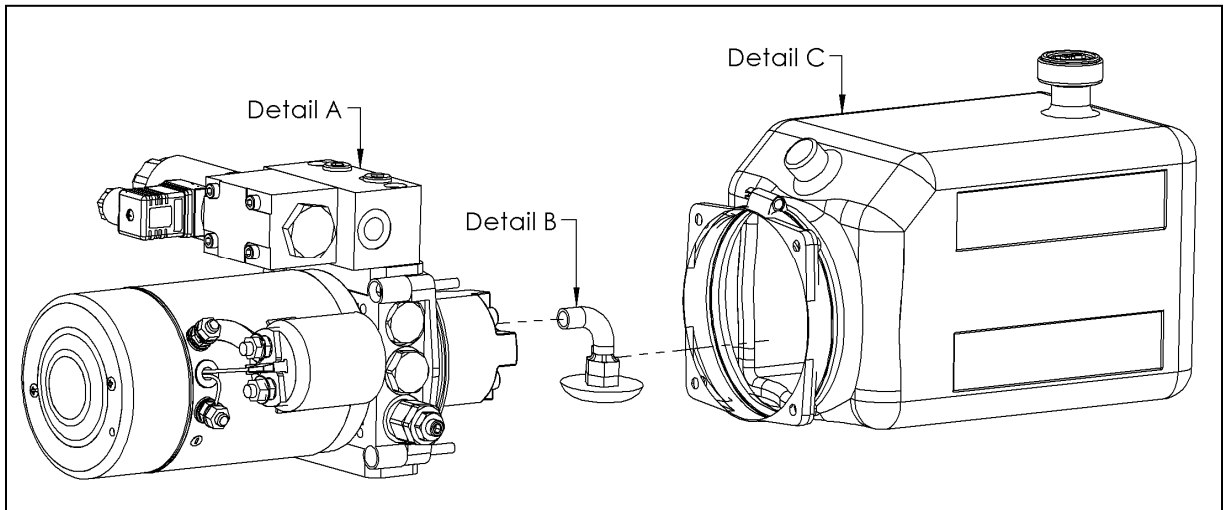
# Preliminary DC Power Pack

LP1A-4\*\*\*\*\*-000-C

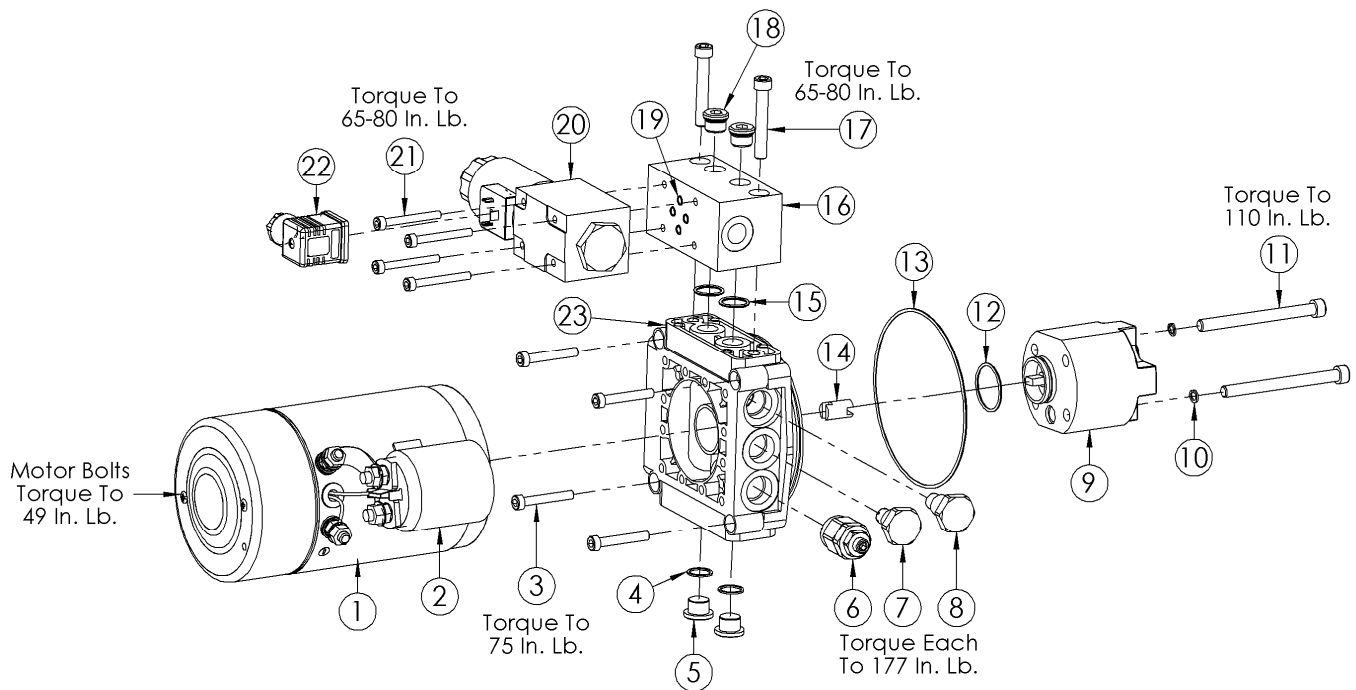
Parts List and Service Manual



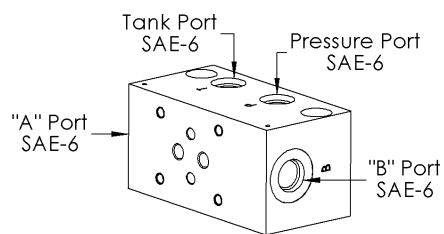
DCPP Exploded View



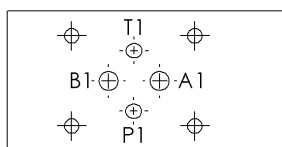
Detail A – Central Manifold with Motor & Pump Assembly



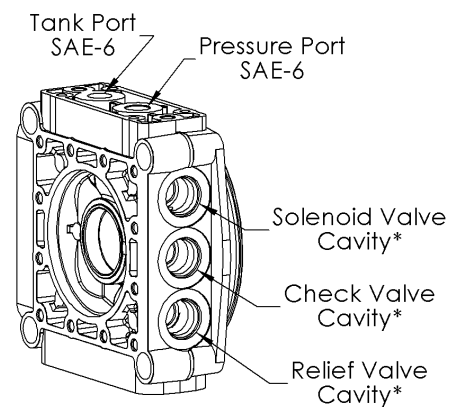
Adapter Block Details (Item 16)



Front View

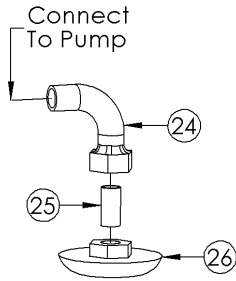


Central Manifold Details (Item 23)

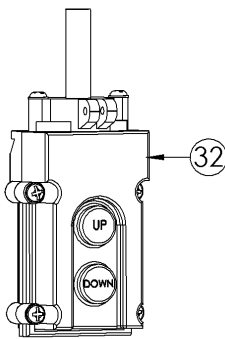


\*Where Applicable

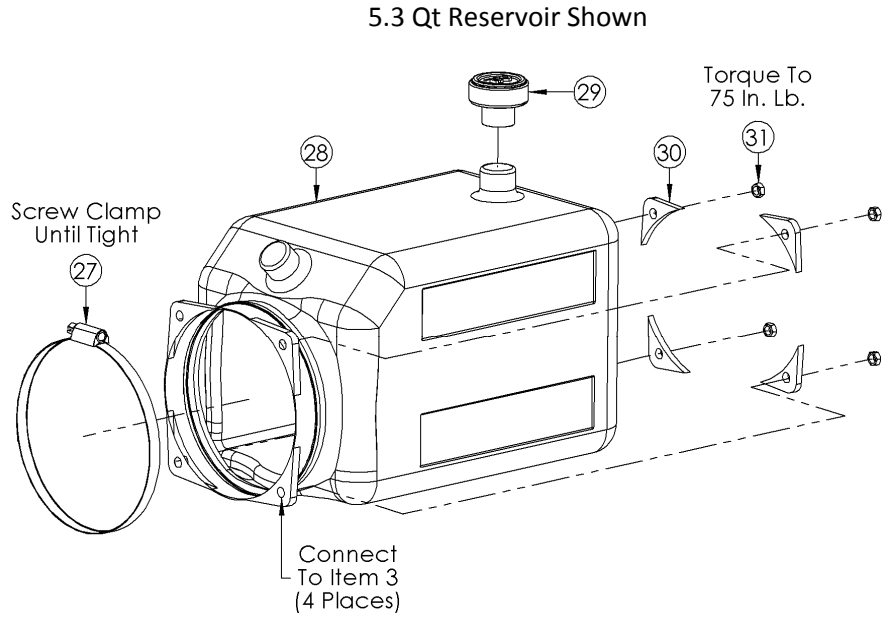
**Detail B – Suction Filter**



**Electrical**



**Detail C – Reservoir Assembly**



**DCPP Parts List (LP1A-4\*\*\*-000-C)**

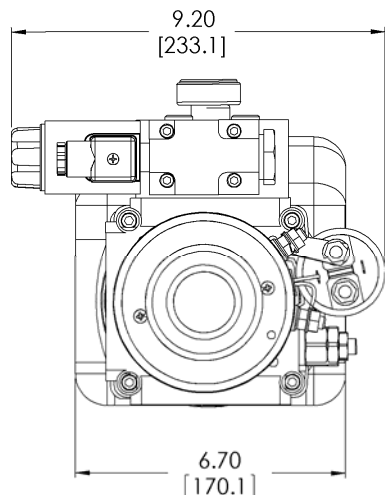
ITEM	QTY	PART NO.	DESCRIPTION	ITEM	QTY	PART NO.	DESCRIPTION
<b>Detail A</b>				<b>Detail B</b>			
01	1	56250A180LOH	12V DC Motor w/ 200A Relay	24	1	74A01030000A	3/8" Elbow
02	1	56252120801H	200A Relay	25	1	74F31030000A	3/8" Nipple
03	4	71D15106040B	M6x40 Bolt	26	1	56233D14H0CA	Suction Filter
04	2	71K12113000T	1/4" BSPP Copper Washer	<b>Detail C</b>			
05	2	090T80IEA014	1/4" BSPP Plug	27	1	71P03197127B	Worm Drive Clamp
06	1	56203P31900V	Relief Valve	28	1	56220201B00E*	1.6 Q Poly Horizontal - F
07	1	562571L3005E	Check Valve		1	56220201B02E*	1.6 Q Poly Vertical - F
08	1	56328PA0078A	Solenoid Cavity Plug		1	56220301B00E*	3.2 Q Poly Horizontal - H
09	1	13B1W2D2ABBC	Pump 03 (0.061 cu. in.)		1	56220301B02E*	3.2 Q Poly Vertical - H
	1	13B1W2D2BBBC	Pump 04 (0.076 cu. in.)		1	56220501B00E	5.3 Q Poly Horizontal - J (Std.)
	1	13B1W2D2CBBC	Pump 05 (0.097 cu. in.)		1	56220501B02E*	5.3 Q Poly Vertical - J
	1	13B1W2D2EBBC	Pump 06 (0.122 cu. in.) (Std.)		1	56220701B00E*	8.5 Q Poly Horizontal - K
	1	13B1W2D2GBBC	Pump 07 (0.152 cu. in.)		1	56220701B02E*	8.5 Q Poly Vertical - K
	1	13B1W2D2JBBC	Pump 08 (0.192 cu. in.)		1	56220301B04E*	8.5 Q Poly Horizontal - K (Center Port)
10	2	71F39008000B	M8 Lock Washer		1	56221203A23Z*	2.1 Q Steel Horizontal - A
11	2	71D15108085B	M8x85 Bolt (Pump 03/04)		1	56221403A23Z*	4.2 Q Steel Horizontal - B
	2	71D15108090B	M8x90 Bolt (Pump 05/06)		1	56221833A23Z*	8.4 Q Steel Horizontal - S
	2	71D15108095B	M8x95 Bolt (Pump 07/08)		1	56221803B23Z*	8.4 Q Steel Horizontal - C
12	1	733B26202665	Pump Pilot O-ring		1	56221A03B23Z*	10.5 Q Steel Horizontal - D
13	1	733B35311390	O-ring		1	56221A53B23Z*	15.8 Q Steel Horizontal - E
14	1	563422B20EET	Motor Connector Shaft	29	1	39G57B000COC	Breather Cap (Res. Type F, H, J & K)
15	2	733B17801717	O-ring		1	39G52E000COC	Breather Cap (Res. Type C, D & E)
16	1	1201PV04330A	Adapter Block		1	39G52D000COC	Breather Cap (Res. Type A, B & S)
17	2	71D15108050B	M8x50 Bolt	30	4	2300PS05270Z	Poly Reservoir Mtg. Bracket
18	2	HHPB-6Z	9/16 - 18 UNF Plug	31	4	71E14106000B	M6 Nut
19	4	733B17800873	O-ring	32	1	150123019A0U	Corded Control (Standard)
20	1	0814B11AA00I	DIN Solenoid Valve 2P2/4W		1	15012304001S	Corded Control (Weather Resistant)
21	4	71D15105045B	M5x45 Bolt				
22	1	78C00100500A	DIN connector				
23	1	5620121031BT	Central Manifold				

\*Sold Separately/Special Order Only

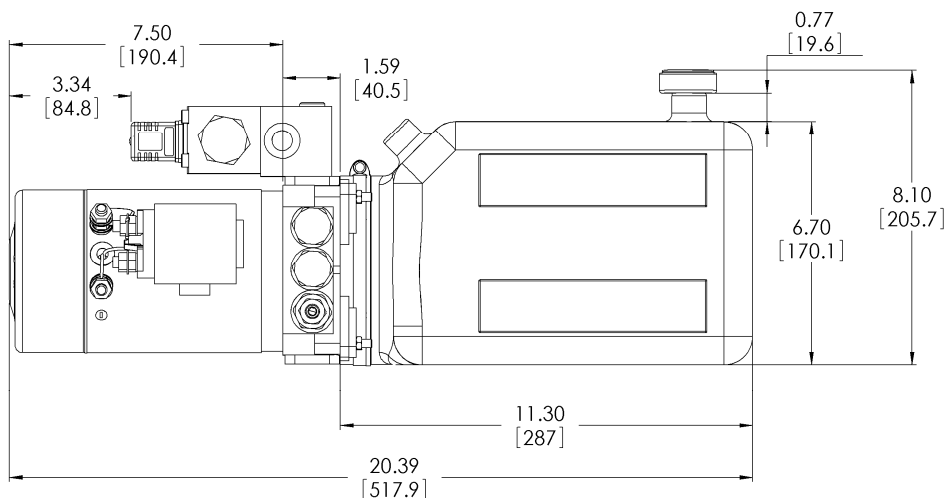
Preliminary  
**Dimensions (LP1A-4\*\*\*\*-000-C)**

In Inches (mm)

Front View



Side View



**DC Power Pack Model Number Construction**

<p>LP 1 A - 4 H P J 06 - 000 - C</p>															
<p><b>DC Power Pack</b> – LP</p> <p><b>Design Number</b> – 1</p> <p><b>Motor 12V DC</b> – A</p> <p><b>Function</b>                  Pump/Motor Only - 0                  Pump/Motor/Reservoir/Enclosure - 1                  Use mounting position V                  Pump/Motor/Reservoir/Manifold Mntg. - 2                  Pad for multiple functions**                  Pump/Motor/Reservoir/3-Way - 3                  Pump/Motor/Reservoir/4-Way - 4</p> <p><b>Mounting Position</b>                  Horizontal (Std) - H                  Vertical (5.3 &amp; 8.5 Qt. Poly Only) - V</p> <p><b>Reservoir Type</b>                  Steel - S                  Polyethylene (Std) - P                  None - X</p>	<p><b>Operator Control Device</b>                  A – No Controls                  C – Corded Electronic Control                  M – Manual Control</p> <p><b>Assembly Code</b>                  000 – Number increments for variations</p> <p><b>Pump Size</b>                  03 – 1.00 cc/0.061 cu. in                  04 – 1.25 cc/0.076 cu. in.                  05 – 1.60 cc/0.097 cu. In.                  06 – 2.00 cc/0.122 cu. In. (Std)                  07 – 2.50 cc/0.152 cu. In.                  08 – 3.15 cc/0.192 cu. In.</p> <p><b>Reservoir Size*</b>                  X - None</p> <table border="0"> <tr> <td><b>Steel</b></td> <td><b>Polyethylene</b></td> </tr> <tr> <td>A – 2.1 Qt. (2.0 L)</td> <td>F – 1.6 Qt. (1.5 L)</td> </tr> <tr> <td>B – 4.2 Qt. (4.0 L)</td> <td>H – 3.2 Qt. (3.0 L)</td> </tr> <tr> <td>C – 8.4 Qt. (8.0 L)</td> <td>J – 5.3 Qt (5.0 L)</td> </tr> <tr> <td>D – 10.5 Qt (10.0 L)</td> <td>K – 8.5 Qt. (8.0 L)</td> </tr> <tr> <td>E – 15.8 Qt. (15.0 L)</td> <td>L – 10.5 Qt.</td> </tr> <tr> <td>S – 8.4 Qt. (8.0 L)</td> <td>with enclosure</td> </tr> </table> <p>(Function Type 1 Only)</p>	<b>Steel</b>	<b>Polyethylene</b>	A – 2.1 Qt. (2.0 L)	F – 1.6 Qt. (1.5 L)	B – 4.2 Qt. (4.0 L)	H – 3.2 Qt. (3.0 L)	C – 8.4 Qt. (8.0 L)	J – 5.3 Qt (5.0 L)	D – 10.5 Qt (10.0 L)	K – 8.5 Qt. (8.0 L)	E – 15.8 Qt. (15.0 L)	L – 10.5 Qt.	S – 8.4 Qt. (8.0 L)	with enclosure
<b>Steel</b>	<b>Polyethylene</b>														
A – 2.1 Qt. (2.0 L)	F – 1.6 Qt. (1.5 L)														
B – 4.2 Qt. (4.0 L)	H – 3.2 Qt. (3.0 L)														
C – 8.4 Qt. (8.0 L)	J – 5.3 Qt (5.0 L)														
D – 10.5 Qt (10.0 L)	K – 8.5 Qt. (8.0 L)														
E – 15.8 Qt. (15.0 L)	L – 10.5 Qt.														
S – 8.4 Qt. (8.0 L)	with enclosure														

\*Useable reservoir capacity is 10% less than shown. Please note that 4 Qt. = 1 Gallon (3.78 L)  
 \*\* Mounting plates and valves are sold separately, unless included in the assembly code.



Muncie Power Products, Inc. Member of the Interpump Hydraulics Group  
 General Offices and Distribution Center • P.O. Box 548 • Muncie, IN 47308-0548  
 (765)284-7721 • FAX • (765) 284-6991 • E-mail info@munciepower.com  
 Web site <http://www.munciepower.com>  
 Drive Products, Exclusive Agents for Canada, ISO Certified by an Accredited Registrar

